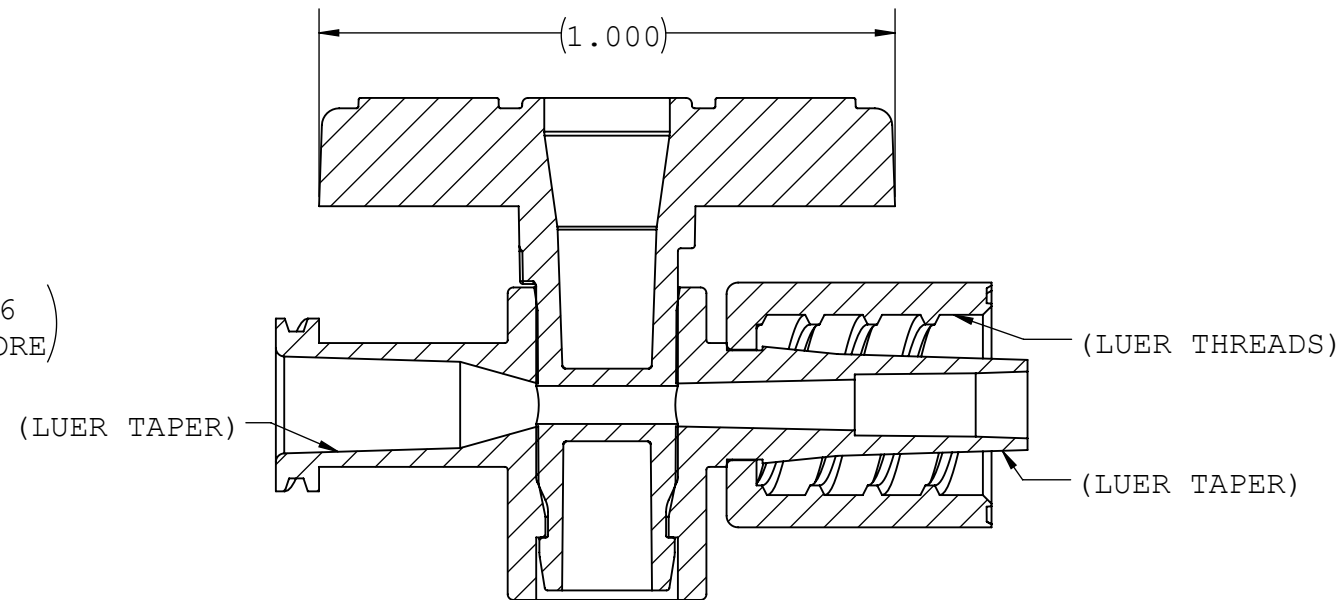
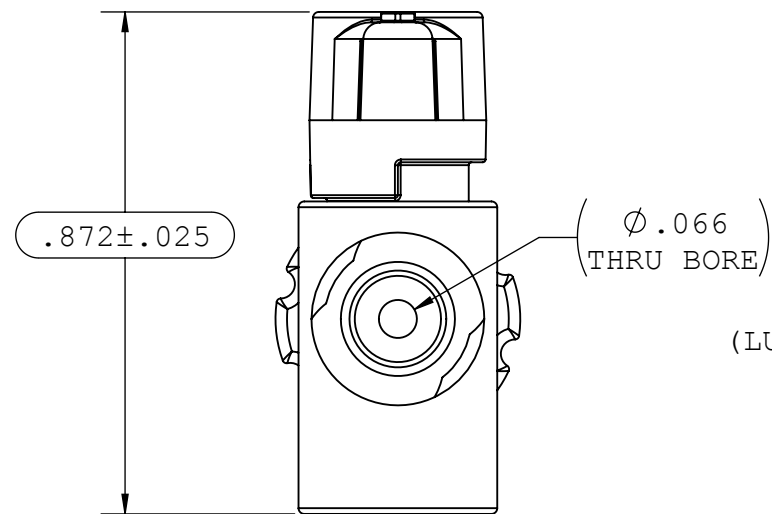
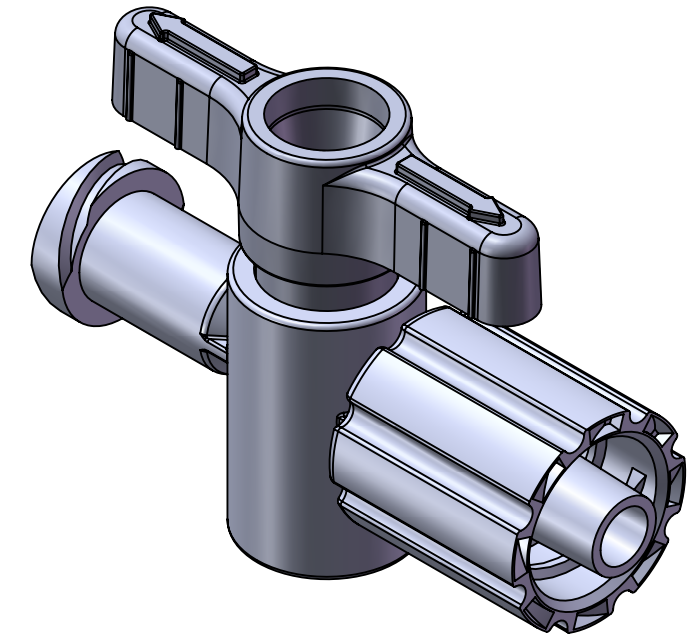
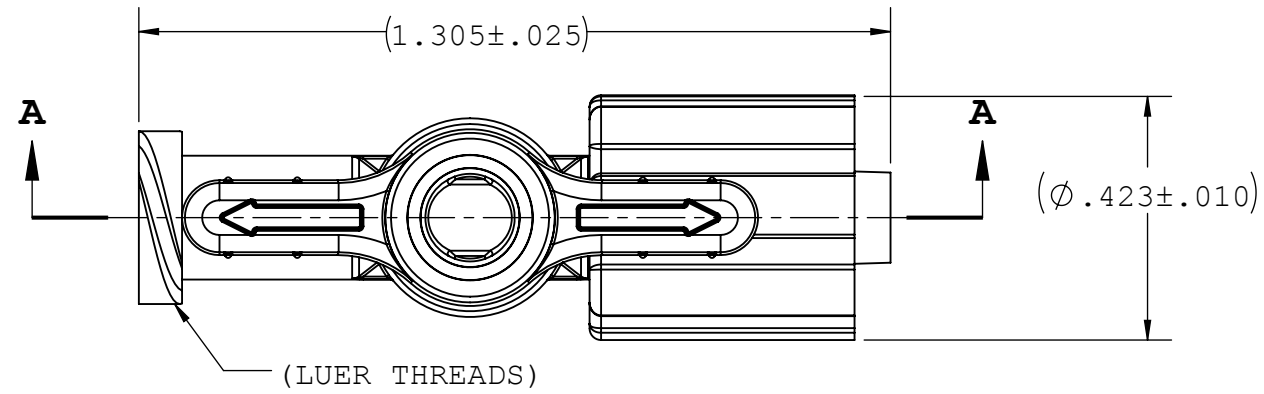


NOTES: FOR ADDITIONAL DETAILS, PLEASE CONTACT VP CUSTOMER SERVICE  
 DIMENSIONS MARKED  $\varnothing$  ARE CONTROL DIMENSIONS  
 PARTS ARE ASSEMBLED IN THE ORIENTATION SHOWN ON THE DRAWING  
 DIVERTER ANGLE ALLOWANCE  $\pm 10$  DEGREES

REVISIONS			
REV.	DESCRIPTION	DATE	APPROVED
A	INITIAL RELEASE	09/16/15	K.R.S.



SECTION A-A

UNLESS OTHERWISE SPECIFIED DIMENSIONS ARE IN INCHES TOLERANCES ARE:		<b>VALUE PLASTICS, INC</b>			
FRACTIONS    DECIMAL    ANGULAR ±                .XX ±.01        ± 1° .XXX ±.005 .XXXX ±.001		PART NUMBER: FCFMR-2A			
DO NOT SCALE DRAWING		DESCRIPTION: STOPCOCK, 1-WAY, FL TO ML BODY, 1-ARROW DIVERTER, LUER LOCK NUT			
DRAWN BY: Marie M.J.	DATE: 9/16/2015	SIZE: <b>B</b>	SCALE: NTS	VER: 1031661	DWG. NO. 1031661
MANAGER: kyles		© 2011 VALUE PLASTICS, INC			REV A
				SHEET: 1 OF 1	

**FOR REFERENCE ONLY**